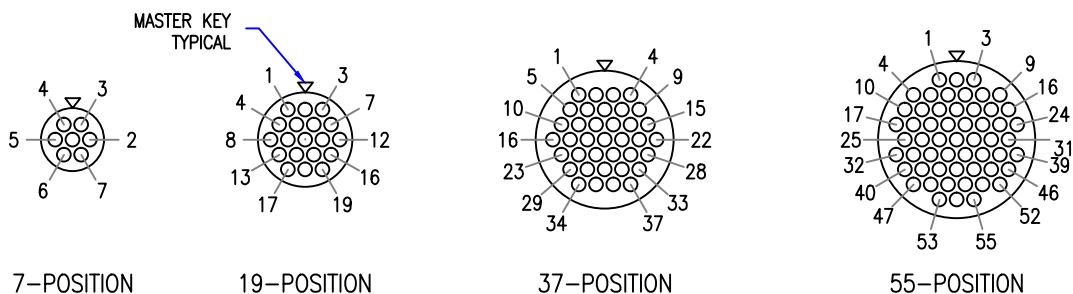


# THOR ELECTRONICS of CALIFORNIA

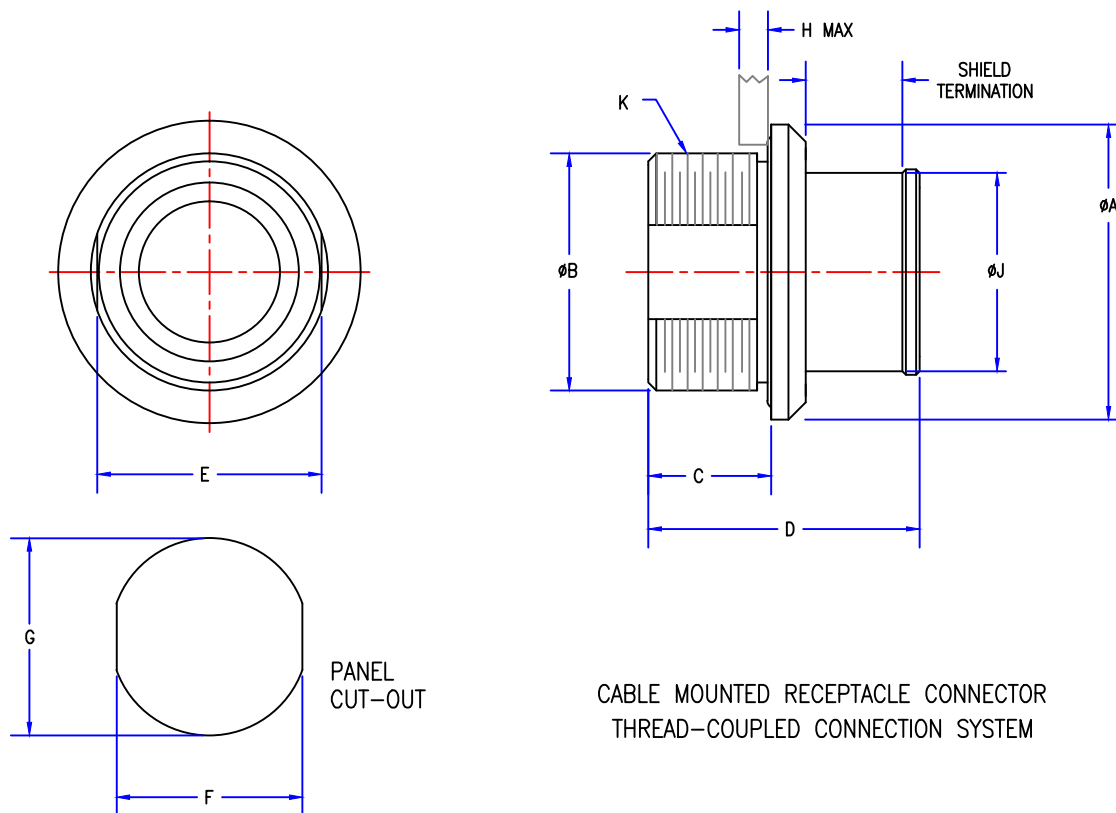
420 WEST MARKET STREET  
SALINAS, CALIFORNIA 93901

831-758-6400  
831-758-0162 FAX

www.thorconnect.com  
CERTIFIED TO ISO 9001:2008 AND AS9100:2009 REV. C



FACE VIEW PIN INSERT (RECEPTACLE)



CABLE MOUNTED RECEPTACLE CONNECTOR  
THREAD-COUPLED CONNECTION SYSTEM

CONNECTOR SIZE	$\phi A$	$\phi B$	C	D	E	F	G	H	$\phi J$	K THREAD UNEF CLASS 2A
7-POSITION	0.580	0.374	0.362	0.772	0.309	0.316	0.381	0.100	0.370	3/8-32
19-POSITION	0.854	0.679	0.355	0.785	0.636	0.642	0.685	0.100	0.574	11/16-24
37-POSITION	0.980	0.805	0.355	0.785	0.773	0.779	0.811	0.100	0.700	13/16-32
55-POSITION	1.058	0.866	0.355	0.785	0.812	0.818	0.880	0.100	0.647	7/8-20

ALL DIMENSIONS ARE FOR REFERENCE ONLY.  
ALL DIMENSIONS ARE IN INCHES.